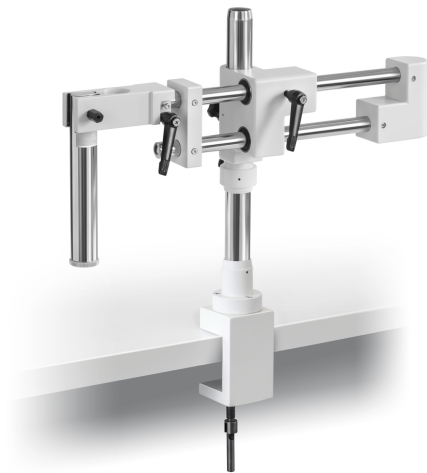


KERN OZB-A1213



Individuality, variety and flexible working through our modular construction system ▶ ECO-Universal stands



Category

Brand	Optics
Product category	Microscope
Product group	Stereo Microscope- Stand
Product family	OZB-UE

Approval

CE mark	✓
---------	---

Construction

Dimension (W×D×H)	526×210×380 mm
-------------------	----------------

Environmental conditions

Storage temperature [Min]	-5 °C
Storage temperature [Max]	40 °C

Packing & Shipping

Readability force [d] (N)	1 d
Dimensions packaging (W×D×H)	490×420×290 mm
Net weight	15 kg
Shipping method	Parcel service
Net weight approx.	15 kg
Gross weight approx.	17 kg
Shipping weight	17 kg

Pictograms

STANDARD

