

KERN[®]

KERN & Sohn GmbH

Ziegelei 1
D-72336 Balingen
E-Mail: info@kern-sohn.com

Phone: +49-[0]7433- 9933-0
Fax: +49-[0]7433-9933-149
Internet: www.kern-sohn.com

KERN
— eco —

Operating manual **Electronic bathroom scales**

KERN MPI

Version 1.0
2017-07
GB



MPI-BA-e-1710



KERN MPI
Version 1.0 2017-07
Operating manual
Bathroom Balance

Contents

1	Technical data	3
2	Declaration of conformity	4
3	Basic Information (General)	4
3.1	Proper use.....	4
3.2	Improper Use.....	4
3.3	Warranty.....	4
4	Basic Safety Precautions.....	5
4.1	Pay attention to the instructions in the Operation Manual	5
5	Transport and storage	5
5.1	Testing upon acceptance	5
5.2	Packaging.....	5
6	Unpacking, Setup and Commissioning.....	5
6.1	Installation Site, Location of Use.....	5
6.2	Unpacking	6
6.3	Battery operation	6
7	Appliance overview	6
8	Using the balance.....	7
8.1	Weighing units switch-over	7
9	Servicing, maintenance, disposal.....	8
9.1	Cleaning	8
9.2	Servicing, maintenance	8
9.3	Disposal.....	8
10	Error message.....	8
11	Instant help.....	9

1 Technical data

KERN	MPI 200K-1
Readability (d)	0.1 kg
Weighing range (max)	200 kg
Accuracy	+/- 0.5% +/- 0.1kg
Weighing Units	kg, lb
Warm-up time	10 min.
Operating temperature	-10° C + 40° C
Height of digits (mm)	30
Humidity of air	max. 80 % (not condensing)
Battery	4 x 1.5 V AAA Operating period: 20 h Auto-Off: 15 sec.
Dimensions (B x D x H) mm	433 x 370 x 34.5
Material weighing platform	Synthetic material
Weight kg (net)	3,05

2 Declaration of conformity

The current EC/EU Conformity declaration can be found online in:

www.kern-sohn.com/ce

3 Basic Information (General)

3.1 Proper use

This balance is used to calculate the weight of people in the private sphere. Utilisation of this balance in the medical field is not permissible. The weighing process requires that the person stands on the weighing plate in a way that provides even weight distribution over the entire weighing plate. As soon as a stable weighing value is reached the weighing value can be read.

3.2 Improper Use

Do not leave permanent load on the weighing pan. This may damage the measuring system.

Take care to avoid impacts and overloading of balance above the specified maximum load (max) under all circumstances. This could cause damage to the balance.

Never operate balance in explosive environment. The serial version is not explosion protected.

The structure of the balance may not be modified. This may lead to incorrect weighing results, safety-related faults and destruction of the balance.

The balance may only be used according to the described conditions. Other areas of use must be released by KERN in writing.

3.3 Warranty

Warranty claims shall be voided in case

- Our conditions in the operation manual are ignored
- The appliance is used outside the described uses
- The appliance is modified or opened
- Mechanical damage and damage caused by media, liquids
- Natural wear and tear
- The appliance is improperly set up or incorrectly electrically connected
- The measuring system is overloaded
- Dropping the balance

4 Basic Safety Precautions

4.1 Pay attention to the instructions in the Operation Manual

Attention:

Stepping on the edge of the weighing plate may cause tilting of balance or fall of person.



⇒ Carefully read this operation manual before setup and commissioning, even if you are already familiar with KERN balances.

5 Transport and storage

5.1 Testing upon acceptance

When receiving the appliance, please check packaging immediately, and the appliance itself when unpacking for possible visible damage.

5.2 Packaging

Keep all parts of the original packaging in case you need to return the appliance. Only use original packaging for returning.

6 Unpacking, Setup and Commissioning

6.1 Installation Site, Location of Use

The balances are designed in a way that reliable weighing results are achieved in common conditions of use.

You will work accurately and fast, if you select the right location for your balance.

Therefore, observe the following for the installation site:

- Place the balance on a firm, level surface;
- Avoid extreme heat as well as temperature fluctuation caused by installing next to a radiator or in the direct sunlight;
- Protect the balance against direct draughts due to open windows and doors;
- Avoid jarring during weighing;
- Protect the balance against high humidity, vapours and dust;
- Do not expose the device to extreme dampness for longer periods of time. Non-permitted condensation (condensation of air humidity on the appliance) may occur if a cold appliance is taken to a considerably warmer environment. In this case, acclimatize the appliance for ca. 2 hours at room temperature.
- Avoid static charge of the balance and of the person to be weighed.
- Avoid contact with water.

The occurrence of electric fields or electrostatic charge may result in major display deviations (incorrect weighing results). In that case, the location must be changed.

6.2 Unpacking

Take the whole balance out of their packaging and place them at the intended position.

Scope of delivery:

- ⇒ Balance
- ⇒ Operating manual
- ⇒ 4 Leveling feet

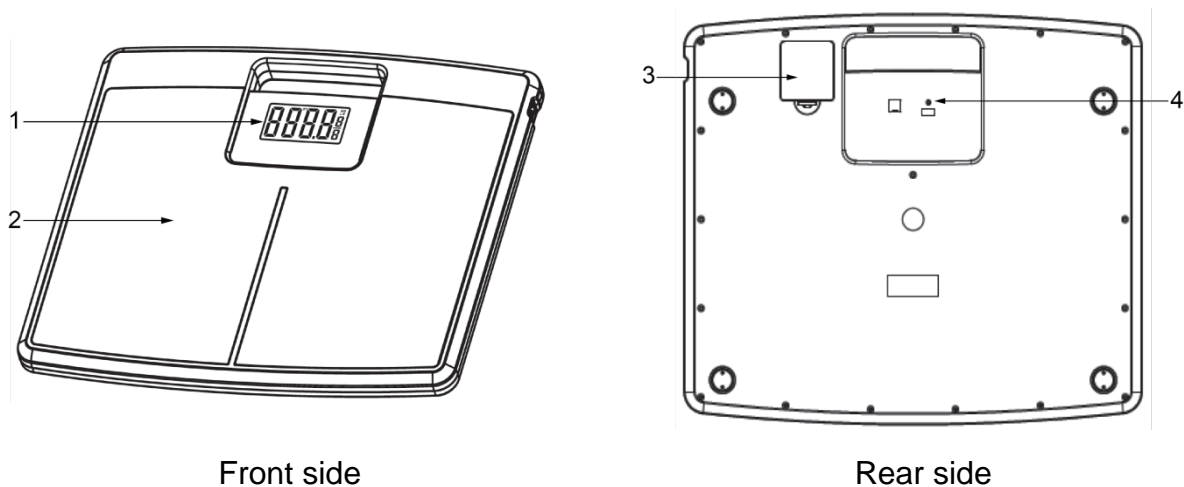
6.3 Battery operation

“bAtt” on the display indicates that the battery load status is too low. Replace batteries as quickly as possible with a new set.

If the balance is not used for a longer time, take out the batteries and store them separately. Leaking battery liquid could damage the balance.

After a change of batteries, tap the weighing platform. The display will show “0000”, followed by a “0” that runs through all the decimal places. Afterwards the scales will turn off automatically. The weighing scales will now be ready for weighing.

7 Appliance overview



Front side

Rear side

- 1 Display
- 2 Weighing pan
- 3 Battery / rechargeable battery compartment
- 4 Switch for switching weighing units

8 Using the balance

- ⇒ The weighing process requires that the person stands on the weighing plate in a way that provides even weight distribution over the entire weighing plate.
- ⇒ Remain as upright and still as possible during the weighing process.
- ⇒ When a stable weighing value has been reached you can read the weighing result.
- ⇒ After leaving the weighing platform the scales will turn off automatically.



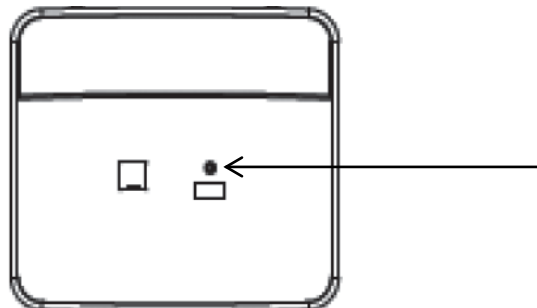
- If the weighing platform is unloaded before reaching a stable weighing value, the display will show “0.0” for 5 seconds. Afterwards the zero display will gradually disappear and the scales will turn off automatically.
- If the weighing platform is loaded for more than 20 seconds, the scales will turn off immediately.

Remark: The typical weight of a person will vary over the day, and equally from one day to the next. Minor weight variations are considered normal.

8.1 Weighing units switch-over

- Tap weighing platform slightly and the zero display will appear.
- Briefly press the black switch on the back of the weighing scales (See fig.)

This changes the weighing unit.



9 Servicing, maintenance, disposal

9.1 Cleaning

Do not use aggressive cleaning agents (solvents or similar) but only a damp cloth with mild soapsuds, or household cleaner. Ensure that no liquid gets inside the unit and rub with a soft, dry cloth.

Loose dirt can be removed carefully with a brush or hand-held vacuum cleaner. Balance must not be tilted or rotated for cleaning, as damage may occur.

Remove dirt immediately.

9.2 Servicing, maintenance

The appliance may only be opened by trained service technicians who are authorized by KERN.

9.3 Disposal

Disposal of packaging and appliance must be carried out by operator according to valid national or regional law of the location where the appliance is used.

10 Error message

Display	Description / help
Err0	Zero range exceeded <ul style="list-style-type: none">• Unload weighing plate• Tap weighing platform slightly and "0000" will appear.• The scales will turn off automatically.• Repeat the weighing process
Err1	Stabilisation error <ul style="list-style-type: none">• Repeat the weighing process• Remain as still as possible during the weighing process.
Err2	Overload <ul style="list-style-type: none">• Unload weighing platform immediately, risk of damage to scales

11 Instant help

Help:

Fault

Possible cause

The displayed weight is permanently changing

- Draught/air movement
- Table/floor vibrations
- Weighing plate has contact with other objects
- Electromagnetic fields / static charging (choose different location/switch off interfering device if possible)

The weighing result is obviously incorrect

- The display of the balance is not at zero
- Great fluctuations in temperature.
- Electromagnetic fields / static charging (choose different location/switch off interfering device if possible)

If the error message remains inform manufacturer.