



**KERN & Sohn GmbH**

Ziegelei 1  
72336 Balingen-Frommern  
Germany

+0049-[0]7433-9933-0  
+0049-[0]7433-9933-149  
info@kern-sohn.com

# Installation Instructions Stands

## KERN SXC, IXC

Type TSXC-A01-A  
TIXC-A01-A  
TIXC-A02-A

Version 1.0  
2023-06  
GB



TSXC-A01-A\_TIXC-A01-A\_TIXC-A02-A-IA-e-2310



# Stands

Version 1.0 2023-06

## Installation Instructions

---

---

### Contents

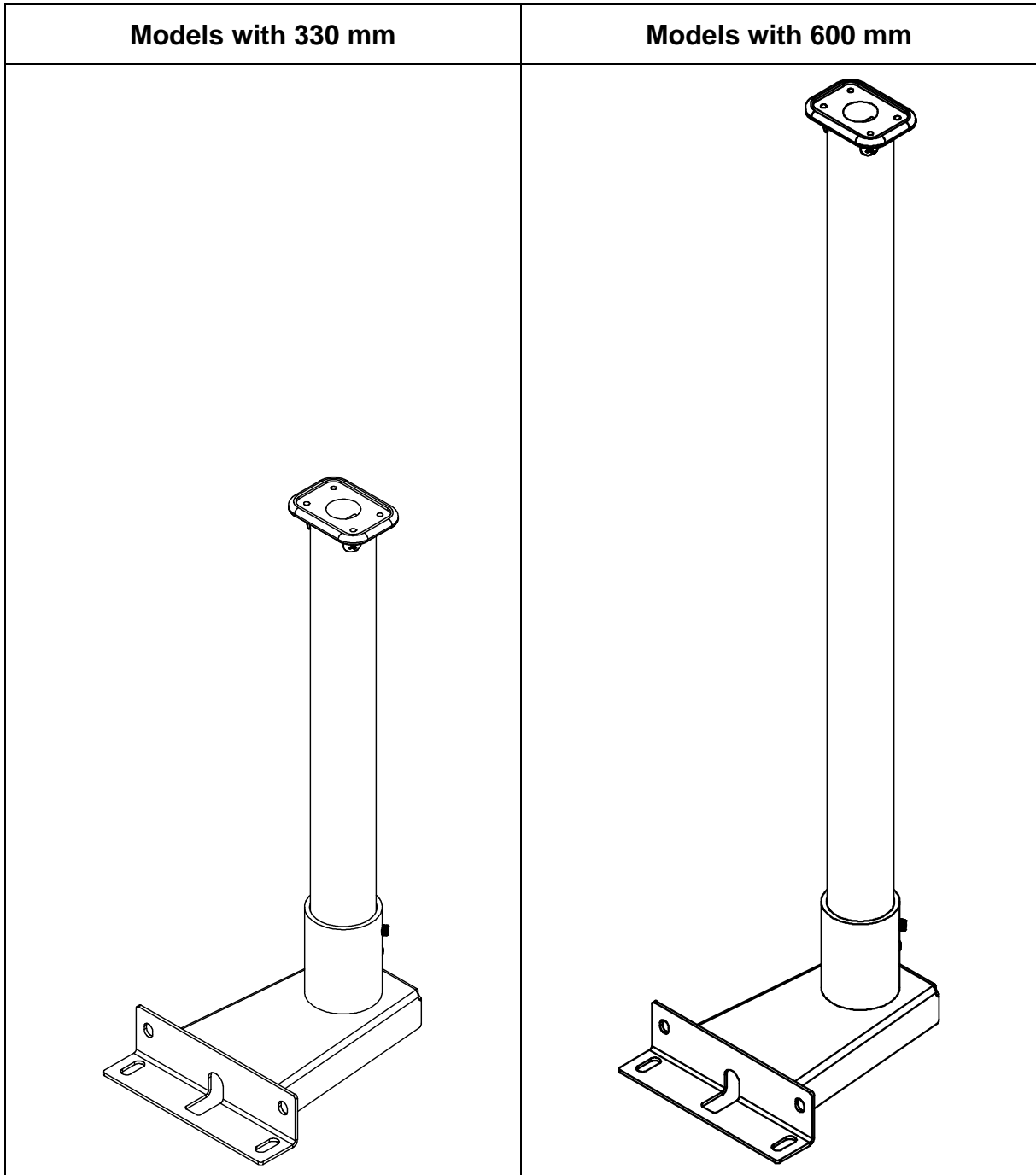
|          |                                |          |
|----------|--------------------------------|----------|
| <b>1</b> | <b>Technical data</b> .....    | <b>3</b> |
| 1.1      | Dimensions .....               | 3        |
| <b>2</b> | <b>Scope of delivery</b> ..... | <b>6</b> |
| <b>3</b> | <b>Installation</b> .....      | <b>7</b> |

# 1 Technical data

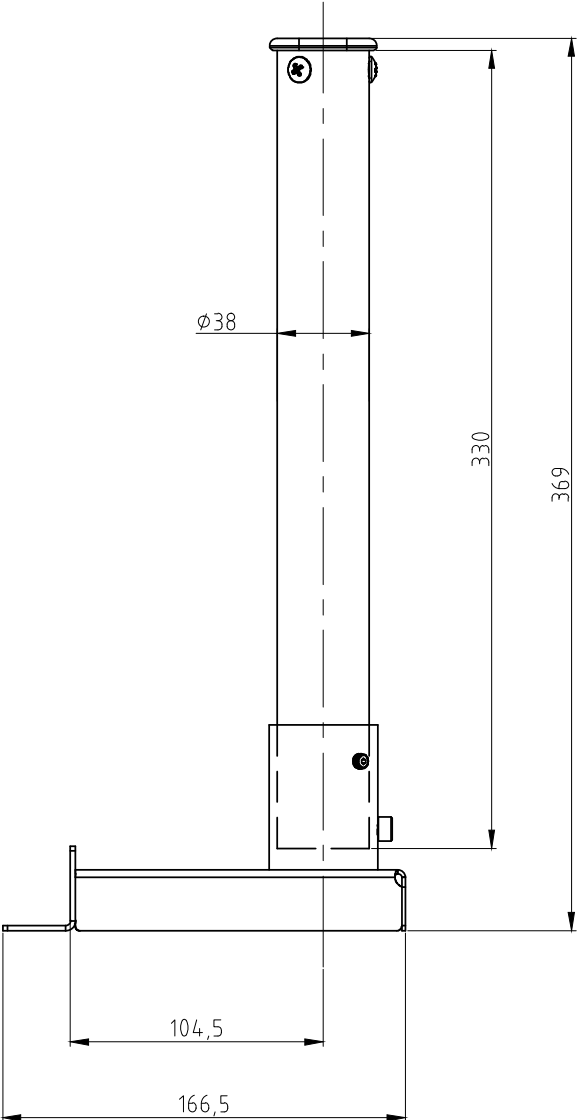
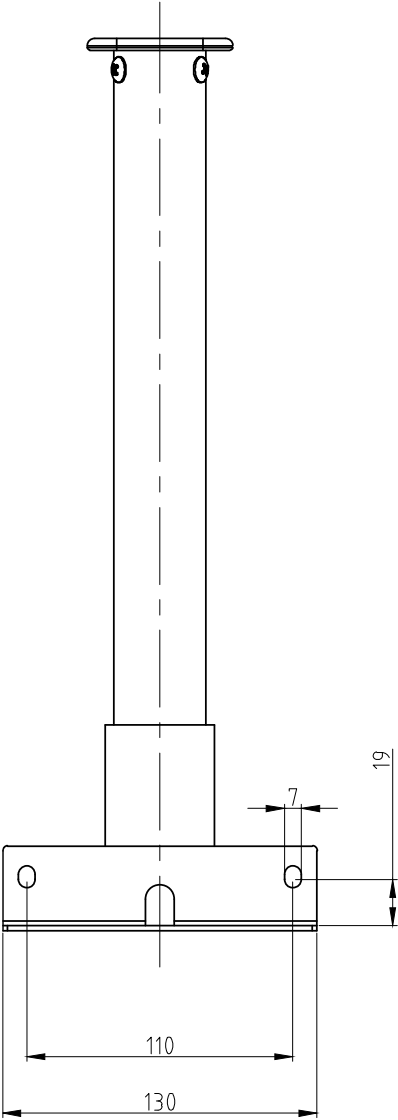
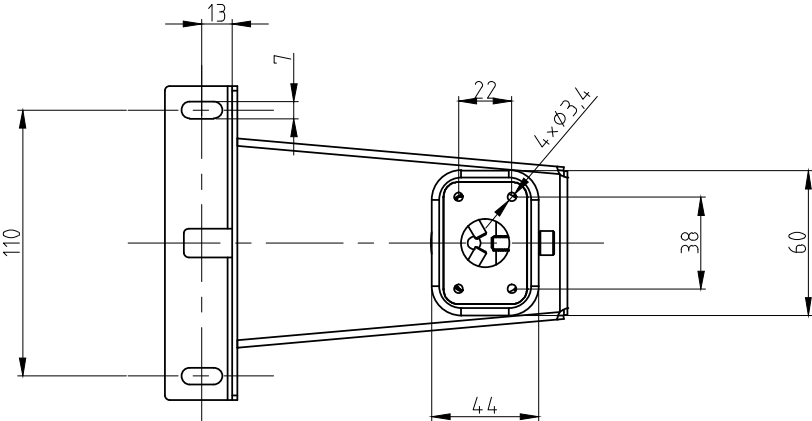
| KERN              | TSXC-A01-A | TIXC-A01-A | TIXC-A02-A |
|-------------------|------------|------------|------------|
| Stand height (mm) | 330        | 330        | 600        |

## 1.1 Dimensions

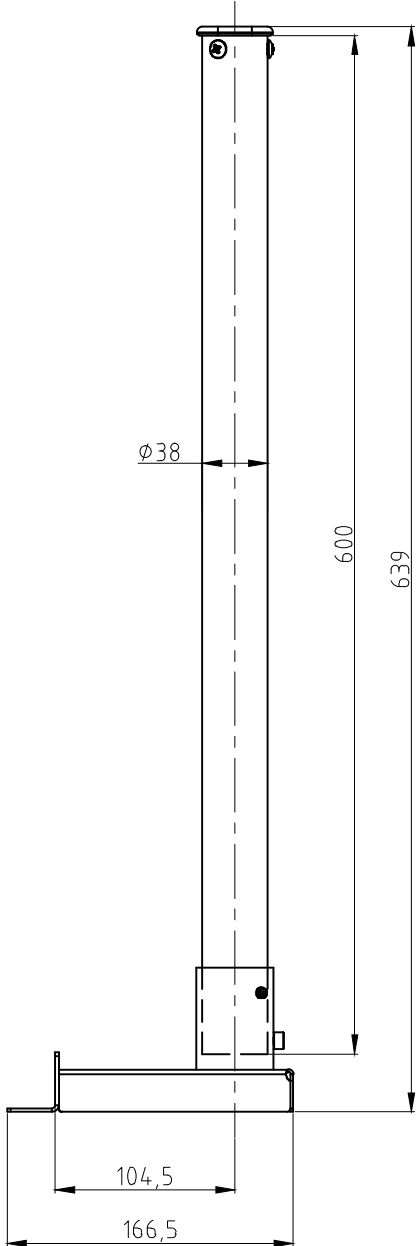
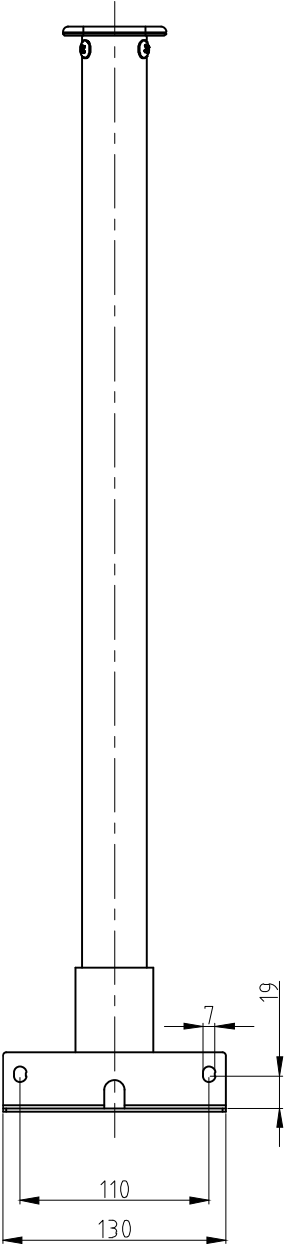
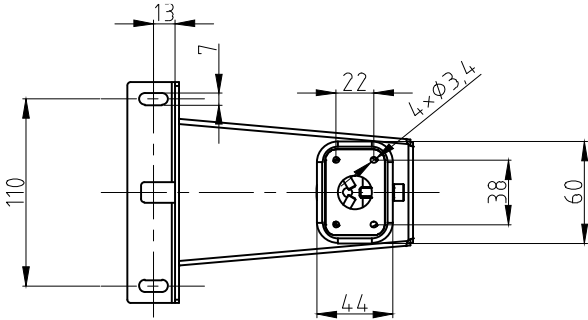
- Dimensions in mm
- Drawings on the following page



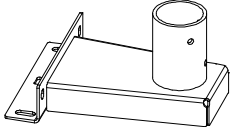


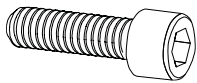


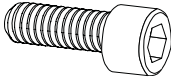
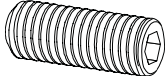
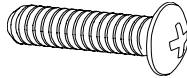
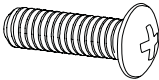
**Models with 330 mm:**



Models with 600 mm:



## 2 Scope of delivery

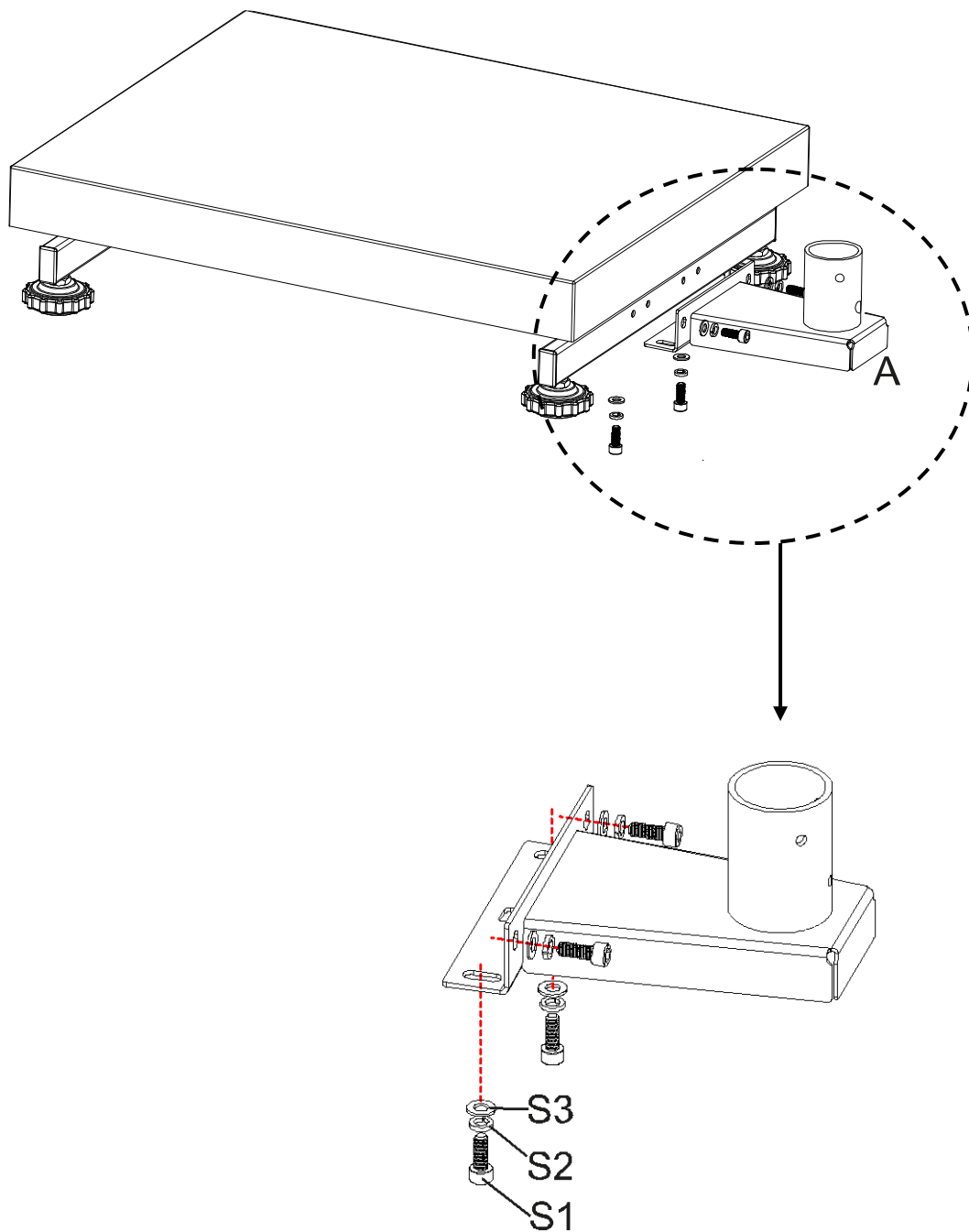
|  |   |  |
|--|---|--|
|  <p><b>A</b></p> <p>Stand foot</p> <p>1 x</p> |  <p><b>B</b></p> <p>Stand tube</p> <p>1 x</p>      |  <p><b>C</b></p> <p>Support for display unit</p> <p>1 x</p> |
|  <p><b>S1</b></p> <p>M6 x 16</p> <p>4 x</p>  |  <p><b>S2</b></p> <p>Spring washer</p> <p>4 x</p> |  <p><b>S3</b></p> <p>Washer</p> <p>4 x</p>                 |
|  <p><b>S4</b></p> <p>M6 x 12</p> <p>1 x</p> |  <p><b>S5</b></p> <p>M6 x 10</p> <p>2 x</p>      |  <p><b>S6</b></p> <p>M5 x 16</p> <p>3 x</p>               |
|  <p><b>S7</b></p> <p>M4 x 10</p> <p>4 x</p> |   |  |

### 3 Installation

#### Assembling the stand foot to the platform:

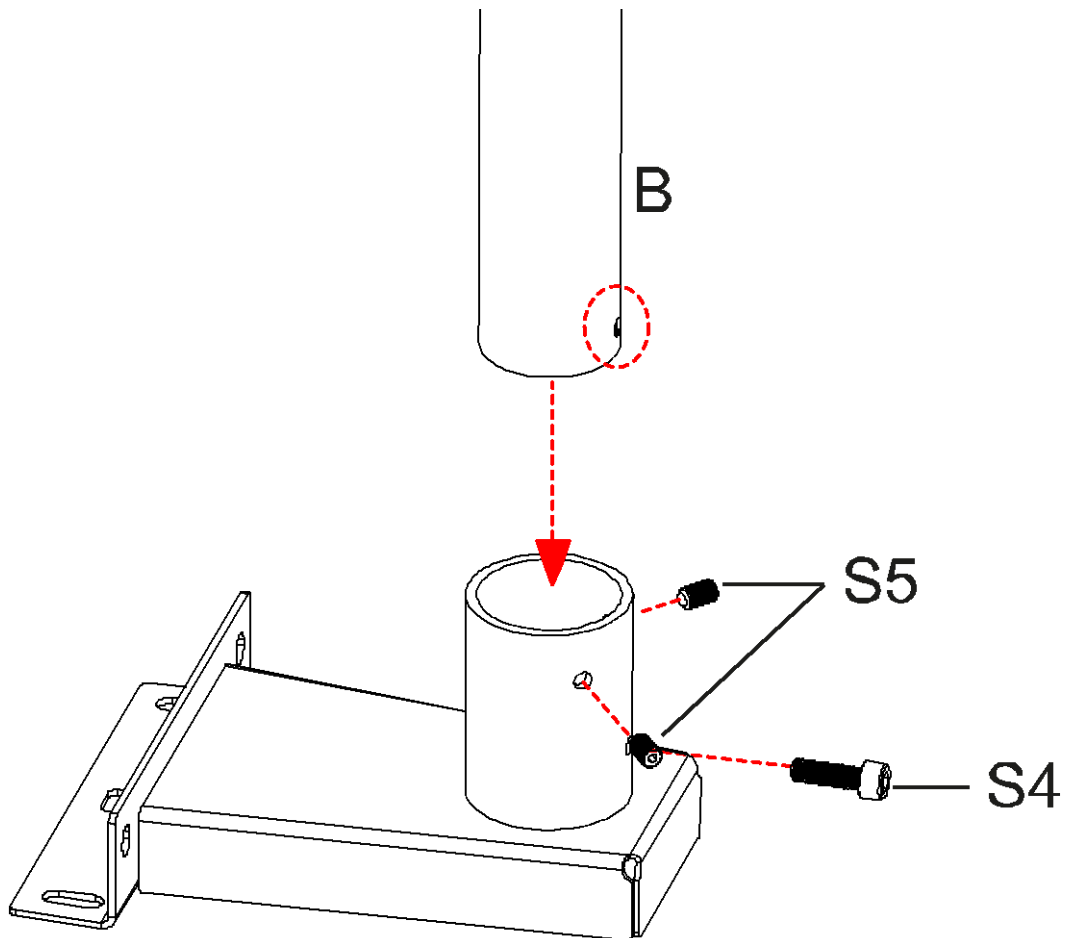
1. Place the stand foot (A) centrally over the perforations on the platform side.
2. First plug the spring washer (S2) and then the washer (S3) on the screw (S1) (4 x).
3. Screw down the stand foot.

**Make sure that no cables are jammed or damaged.**



**Assembling the stand tube to the stand foot:**

4. Unscrew the screws **S4** and **S5** from the stand tube.
5. Push the stand tube (**B**) into the stand foot. Ensure that the perforation of the stand tube matches with the perforation **S4**.
6. Screw down again the screws **S5** and fasten the stand tube using screw **S4**.





**Assembling the display unit to the stand tube:**

7. Push the support of the display unit (**C**) into the stand tube and fasten it using screws **S6**.
8. Fasten the display unit to the display unit's support using screws **S7**.

