



KERN & Sohn GmbH

Ziegelei 1
D-72336 Balingen
E-Mail: info@kern-sohn.com
www.kern-sohn.com

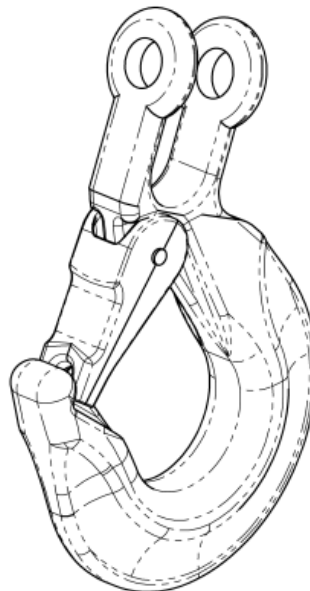
Phone: +49-[0]7433- 9933-0
Fax: +49-[0]7433-9933-149
Internet: www.kern-sohn.com

Installation Instructions

Hooks for crane scales

KERN HFD-A01 / -A02 / -A03

Version 1.0
2018-01
GB



HFD-A0x-IA-e-1810



KERN HFD-A01 / -A02 / -A03

Version 1.0 2018-01

Installation instructions for hooks

Contents

1	General hints.....	2
2	Scope of delivery	3
3	Installation.....	4
4	Regular maintenance and care.....	7

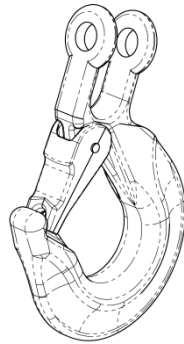
1 General hints

These installation instructions contain all data for installation of hooks in the crane scales KERN HFD.

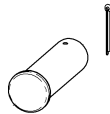
HFD 600K-1	HFD-A01
HFD 1T-4	
HFD 3T-3	HFD-A02
HFD 6T-3	HFD-A03
HFD 10T-3	

2 Scope of delivery

- Hook with safety lock



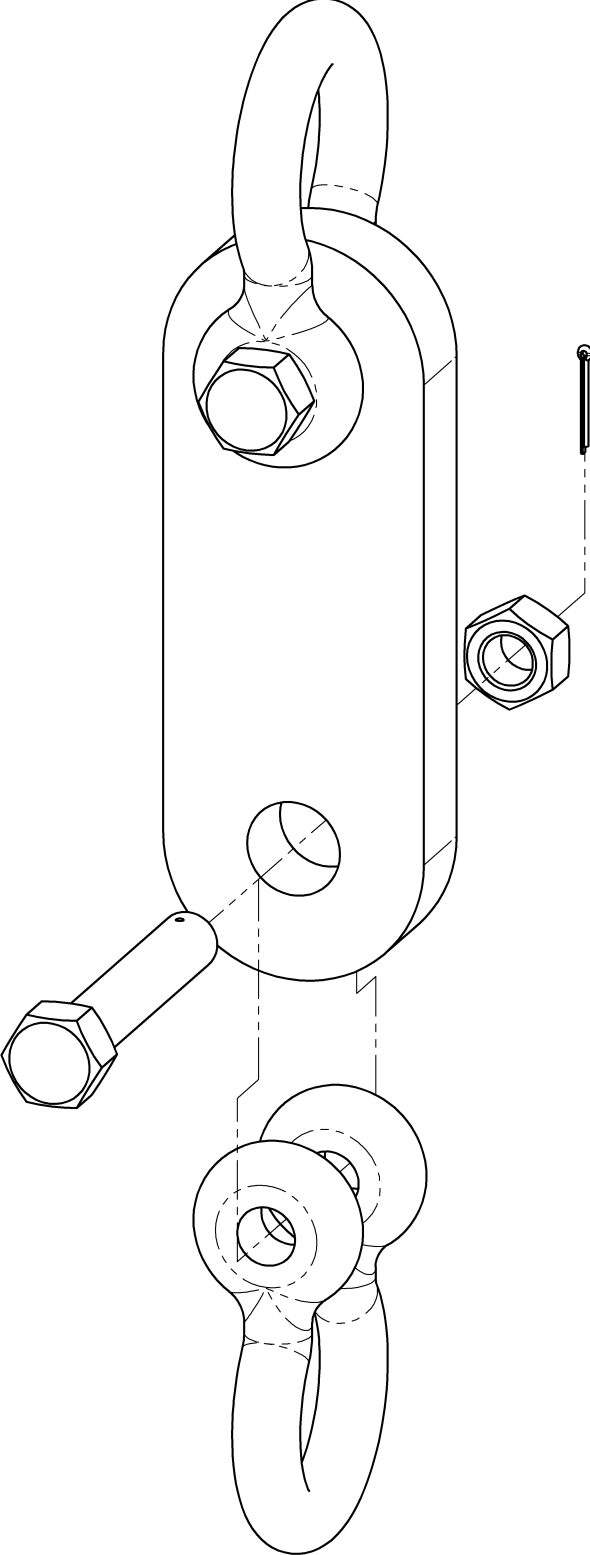
- Bolt and splint pin



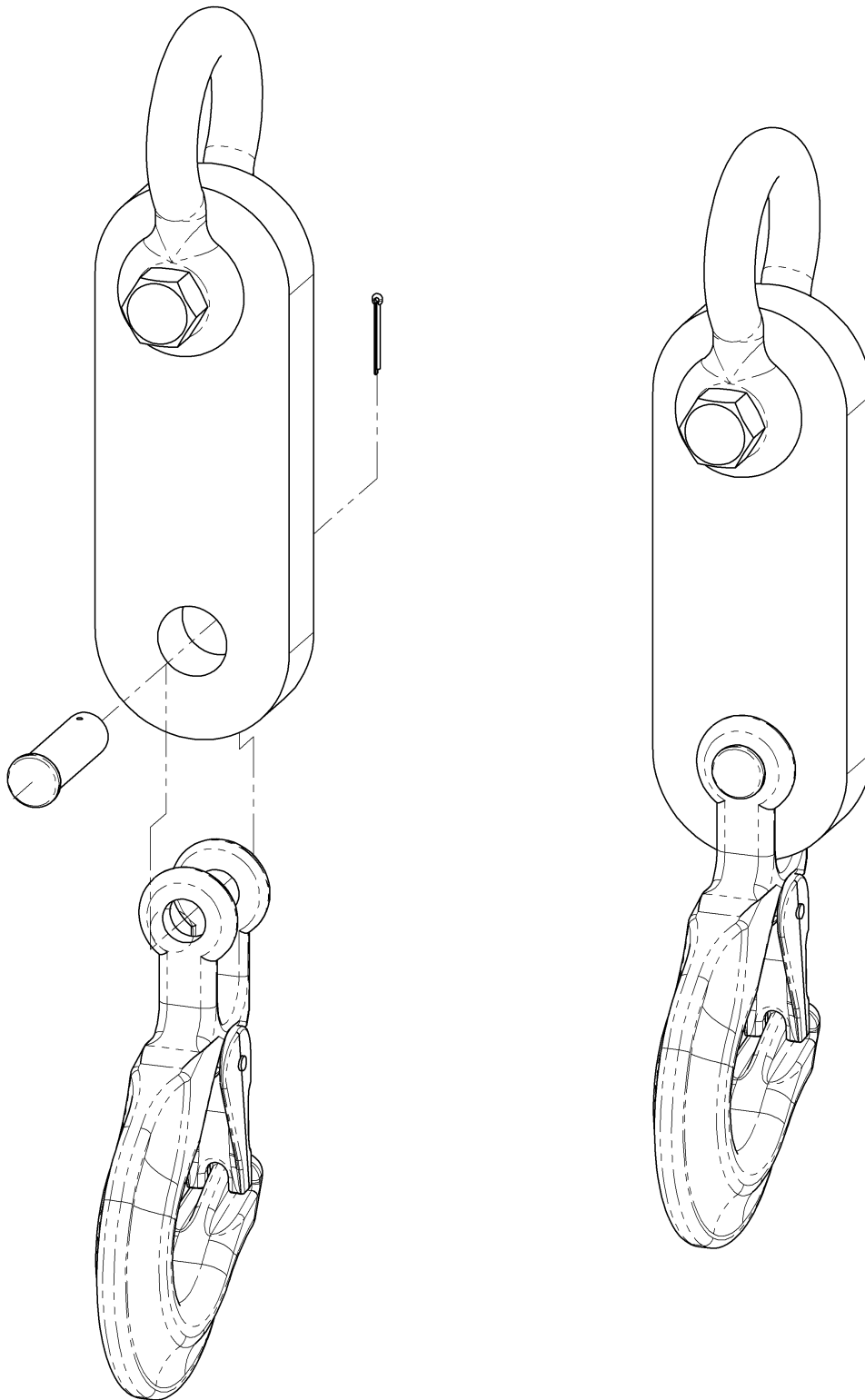
- Installation instructions

3 Installation

1.

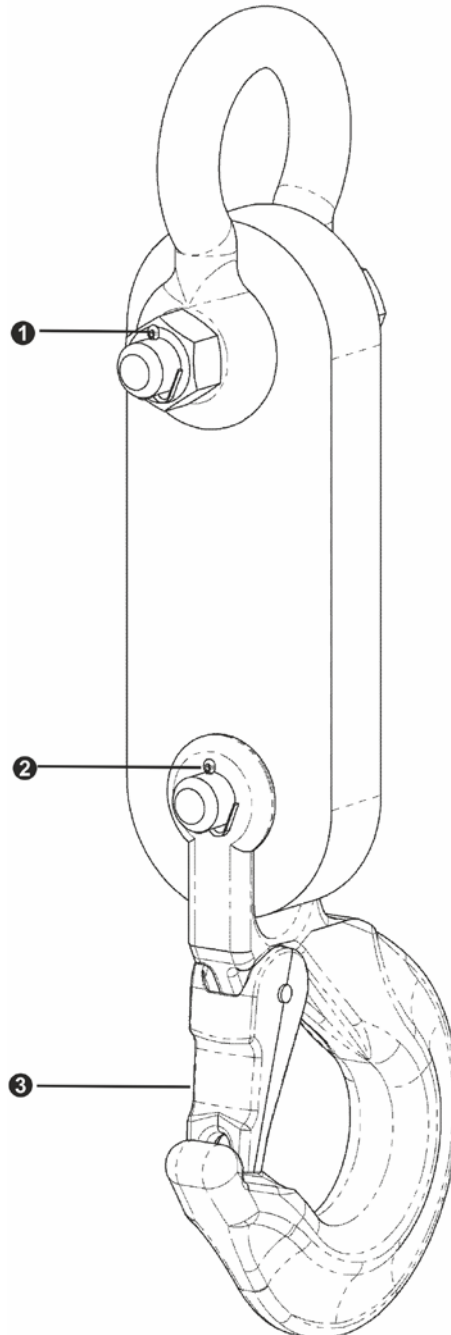


2.



Check after assembly that:

- ①** the upper threaded bolt is fully-tightened and the nut is secured by the split pin.
- ②** the lower bolt is secured by the split pin
- ③** the safety bracket is working properly



4 Regular maintenance and care

Maintenance may only be carried out by a specialist technician with specific training in dealing with load-lifting gear and crane scales.

- ☞ Check the used attachment device regularly for wear and tear, such as e.g. plastic deformation, mechanical damage (unevenness), notches, striation, cracks, corrosion and torsions.
- ☞ Check the application of the safety bracket on the hook, moreover check for fault and correct function
- ☞ Load suspension devices known to have been overloaded or subject to other harmful influences may no longer be used and/or may be re-used only after inspection.