



KERN & Sohn GmbH

Ziegelei 1

D-72336 Balingen

E-Mail: info@kern-sohn.com

Phone: +49-[0]7433- 9933-0

Fax: +49-[0]7433-9933-149

Internet: www.kern-sohn.com

Installation instructions Hook for underfloor weighing

KERN FEJ-A06

Version 1.0

2022-07

GB



TFEJ-A06-A-IA-e-2210





KERN FEJ-A06

Version 1.0 2022-07

Installation instructions Hook for underfloor weighing

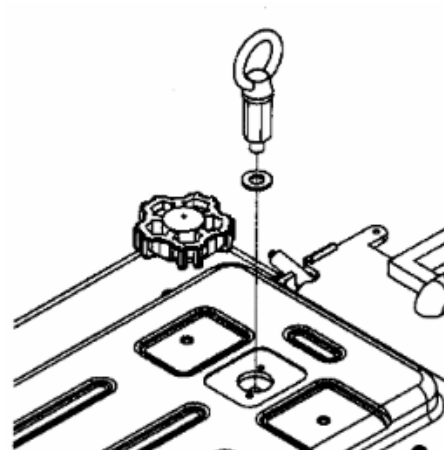
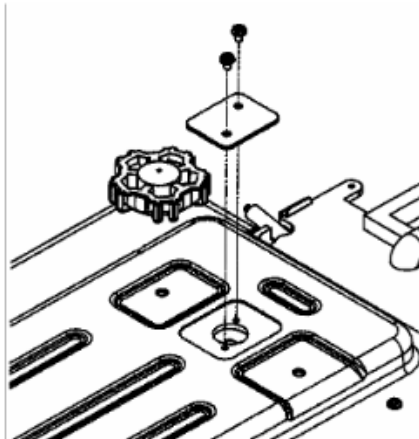
1 Scope of delivery

1. Hook for underfloor weighing	
2. Installation instructions	

2 Assembly

Objects which are unsuitable for placement on the weighing tray due to their size or shape can be weighed with the help of the underfloor weighing facility. To do this, proceed as follows:

1. Switch off the balance
2. Turn-over the balance
3. Open the cover on the bottom of the scale



4. Place the washer over the bore hole and carefully screw in the hook completely for below-balance weighing as far as it will go (hand-tighten →, over-tightening may damage the scale.).
5. Place weighing balance over an opening
6. To weigh, hang the weighing material on the hook.

CAUTION!



- Pay attention that the hooks used for underfloor weighing are stable enough to provide a secure support for the desired items to be weighed (risk of breakage).
- Always ensure that there are no persons, animals or objects that might be damaged underneath the load.



After completing the underfloor weighing the opening on the bottom of the balance must always be closed (dust protection).