



# Sauter GmbH

Ziegelei 1  
D-72336 Balingen  
E-Mail: [info@kern-sohn.com](mailto:info@kern-sohn.com)

Tel.: +49-[0]7433- 9933-0  
Fax: +49-[0]7433-9933-149  
Internet: [www.sauter.eu](http://www.sauter.eu)

## Datasheet / User manual

### SAUTER CP Y4

V. 1.0  
03/2020  
GB



PROFESSIONAL MEASURING

CP Y4-BA-e-2010.docx



# SAUTER CP Y4

V. 1.0 03/2020

## Datasheet / User manual

---

---

Summarize:

1	Short description .....	3
2	Available models.....	3
3	Introduction.....	3
4	Warning notes.....	3
5	Warranty .....	4
6	Detailed specifications.....	4
7	Wiring.....	5
8	Dimension in mm.....	5
9	Certificate of Compliance.....	5

## 1 Short description

- Aluminium single point IP65 (acc. to EN 60529) load cell
- Recommend max. platform 120mm x 120mm
- RoHS conform
- Suitable for balances
- High precision (comprehensive Error 0,02%F.S.)
- OIML class C3

## 2 Available models

Capacity	Model
300g	CP 300-0Y4
600g	CP 600-0Y4
1000g	CP 1000-0Y4
1500g	CP 1500-0Y4
3000g	CP 3000-0Y4

## 3 Introduction

Please pay attention to the notes of the operating manual: read these operating manual carefully before commissioning, even if you already have experience with SAUTER measuring cells.

After receiving the measuring cell, it should be checked in advance whether no transport damage has occurred, whether the outer packaging or other parts or even the article itself has been damaged. If any damage is evident, please inform SAUTER GmbH immediately.

## 4 Warning notes

Observe the national accident prevention regulations.

Not correct executed use of the measuring cell can lead to serious injuries, death, material damage and personal injuries. Use only by trained and experienced people.

Never load more than the max. capacity to a measuring cell. Overloaded measuring cells no longer have the required accuracy. Overloaded or deformed measuring cells are no longer allowed to use and must be changed quickly.

Never step under suspended loads.

Always fasten overload- or break security to your construction.

Pay attention to the allowed static and dynamic loads of the used equipment.

Let the measuring cells calibrate at regular intervals.

Only load the measuring cell in its specified load direction. Avoid lateral forces.

Control the measuring cells to deformations and cracks.

Measuring cells with 4-Conductor cable will change their characteristic value when shortened or extended the cable length.

## 5 Warranty

The warranty expires at:

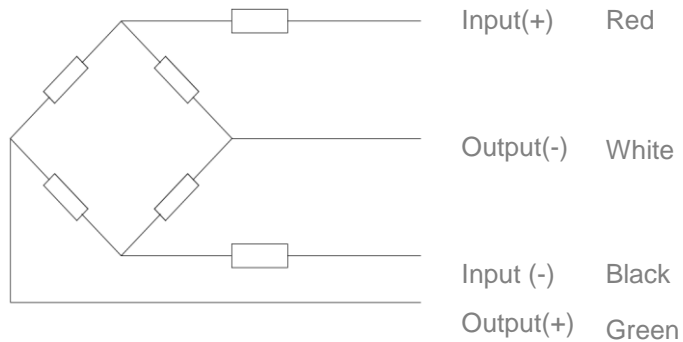
- Disregard of the specifications of the operating manual
- Modification or opening the measuring cell
- Overload
- Mechanical damages
- Damage caused by liquids or media
- Natural loss
- Not correct installation

## 6 Detailed specifications

Output sensitivity (FS)	mV/V	0.9 mV/V
Maximum capacity ( Emax )	g	300, 600, 1000, 1500, 3000
Comprehensive Error	%F.S.	$\leq \pm 0.02$
Zero balance	%F.S.	$\pm 1$
Creep	%F.S./30min	$\pm 0.03$
Temperature effect on span	%F.S./10°C	$\pm 0.02$
Temperature effect on Zero	%F.S./10°C	$\pm 0.02$
Safe overload	of Emax	120 %
Ultimate overload	of Emax	150 %
Excitation, recommended voltage	V	9 ~ 12
Input resistance	$\Omega$	$405 \pm 6$
Output resistance	$\Omega$	$350 \pm 3$
Insulation resistance	M $\Omega$	$\geq 5000$
Operating temperature	°C	-30 ~ +60
Compensated temp. range	°C	-10 ~ +40

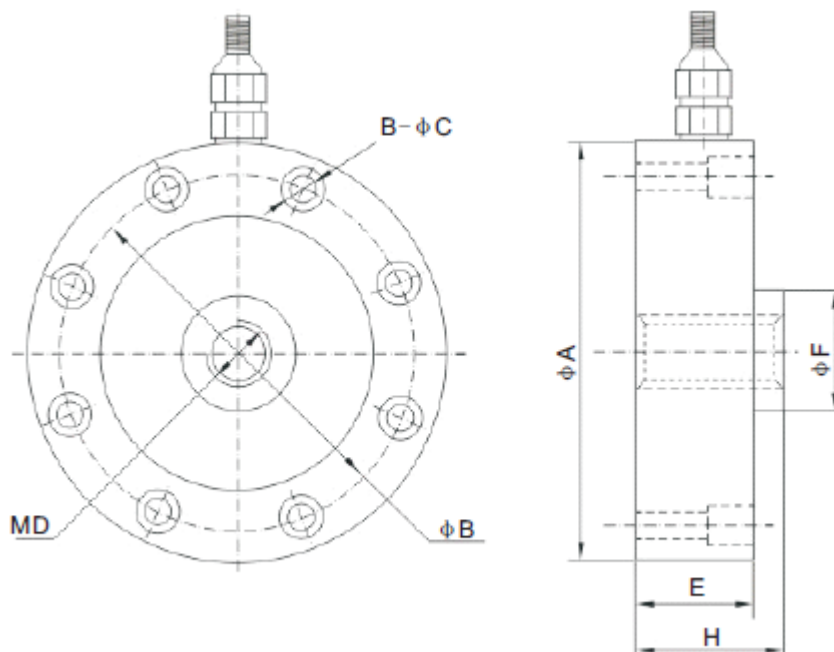
## 7 Wiring

Shielded, 4 conductor cable. Cable diameter: Ø3mm. Shield not connected to element.  
Cable length: 2m



## 8 Dimension in mm

Capacity in kg	A	B	C	F	MD	H	E
500-5000	105	88,9	6,5	32	M16x1,5	37	34
10000-20000	125	101,6	8,5	39	M 32x1,5	52	48



## 9 Certificate of Compliance

The Certificate of Compliance can be downloaded from the website [www.sauter.eu](http://www.sauter.eu)