



KERN & Sohn GmbH

Ziegelei 1
72336 Balingen-Frommern
Germany

www.kern-sohn.com

+0049-[0]7433-9933-0

+0049-[0]7433-9933-149

info@kern-sohn.com

Installation instructions

Pair of base plates

KERN BFS-A06N / BFS-A10 / BFN-A03

Version 1.7

2024-07

GB



BFS-A06N_BFS-A10_BFN-A03-IA-e-2417



KERN BFS-A06N / BFS-A10 / BFN-A03

Version 1.7 2024-07

Installation instructions

Pair of base plates

Contents

1	Basic safety instructions	2
1.1	Follow the instructions in the documentation.....	2
1.2	Staff training.....	2
1.3	Unpacking and checking.....	2
1.4	Installation.....	3
2	Drawings	4

1 Basic safety instructions

1.1 Follow the instructions in the documentation



⇒ Read the document carefully before installation.

1.2 Staff training

The product may only be installed by qualified specialists using suitable fastening materials.

1.3 Unpacking and checking

Remove the product from the packaging and remove the packaging material. Check that all parts included in the scope of delivery are present and undamaged.

Scope of delivery / standard accessories:

- Pair of base plates
- Installation instructions

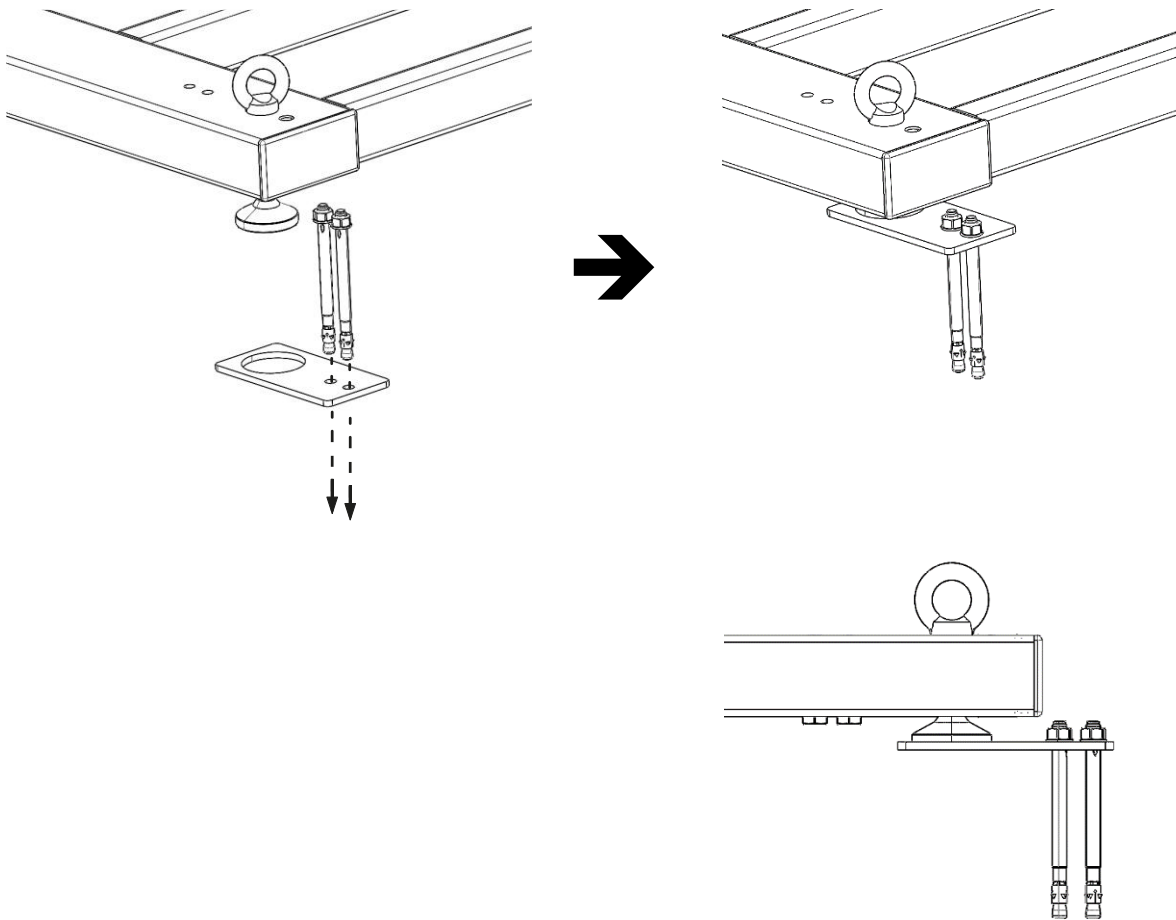
1.4 Installation

INFORMATION



- The necessary preparatory work is described in the relevant installation instructions for the weighbridge.
- The distance between the base plates can be found in the drawings of the respective weighing platform.

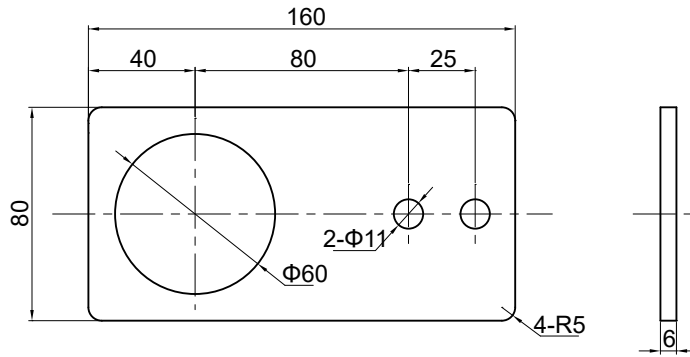
1. Anchor each base plate to the floor using suitable fastening materials
2. Place the weighing platform with the levelling feet in the recess of the foot plates



2 Drawings

A4

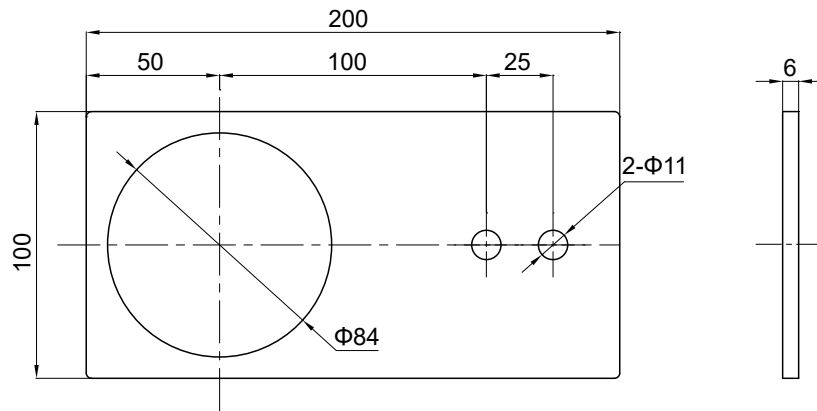
REVISIONS				
ZONE	REV.	DESCRIPTION	DATE	APPROVED
	A0	Released	2024.05.06	Tim.Zhao



TOLERANCE UNLESS OTHERWISE SPECIFIED DEC ANGLES ±0.5 ±0.1 FOR 0.X ±0.05 FOR 0.XX		KERN® KERN & SOHN GmbH		
3RD ANGLE PROJECTION		TITLE: BFS-A06N		
DRAWN	Y.J.Zhao	MODEL NO.	TFG-Foot fixing piece -KERN	PART NO. 131900200123
CHECKED	Tim.Zhao	MATERIAL	FINISH	
APPROVED	Tim.Zhao	SCALE	DO NOT SCALE DRAWING	SHEET OF
UNIT	mm			

A4

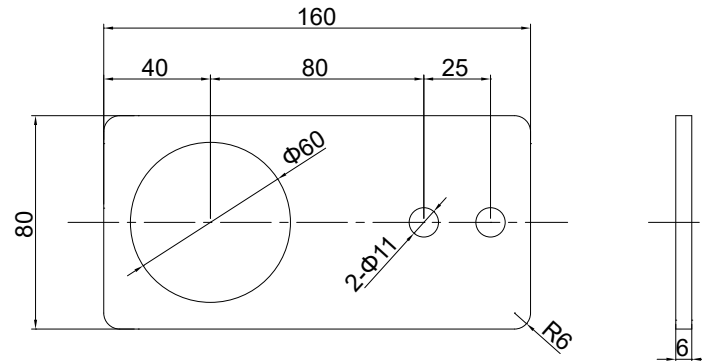
REVISIONS				
ZONE	REV.	DESCRIPTION	DATE	APPROVED
	A0	Released	2024.05.06	Tim.Zhao



TOLERANCE UNLESS OTHERWISE SPECIFIED DEC ANGLES ± 0.5 ± 0.1 FOR 0.X ± 0.05 FOR 0.XX		KERN® KERN & SOHN GmbH		
3RD ANGLE PROJECTION		TITLE: BFS-A10		
DRAWN	Y.J.Zhao	MODEL NO.	TF1515-6T-Foot fixing piece-KERN	PART NO. 131900200084
CHECKED	Tim.Zhao	MATERIAL		FINISH
APPROVED	Tim.Zhao	SCALE		DO NOT SCALE DRAWING
UNIT	mm			SHEET OF

A4

REVISIONS				
ZONE	REV.	DESCRIPTION	DATE	APPROVED
	A0	Released	2024.05.06	Tim.Zhao



TOLERANCE UNLESS OTHERWISE SPECIFIED DEC ANGLES ± 0.5 ± 0.1 FOR 0.X ± 0.05 FOR 0.XX		KERN® KERN & SOHN GmbH		
3RD ANGLE PROJECTION		TITLE: BFN-A03		
DRAWN	Y.J.Zhao	MODEL NO.	TFGS-Foot fixing piece-KERN	PART NO. 131900200221
CHECKED	Tim.Zhao	MATERIAL	FINISH	
APPROVED	Tim.Zhao	SCALE	DO NOT SCALE DRAWING	SHEET OF
UNIT	mm			