



**KERN & Sohn GmbH**

Ziegelei 1  
D-72336 Balingen  
E-Mail: [info@kern-sohn.com](mailto:info@kern-sohn.com)

Phone: +49-[0]7433- 9933-0  
Fax: +49-[0]7433-9933-149  
Internet: [www.kern-sohn.com](http://www.kern-sohn.com)

# Installation Instructions Internal Windshield

## KERN TABP-A02-A

Version 1.0  
2022-05  
EN



TABP-A02-BA-e-2210



# **KERN ABP**

Version 1.0 2022-05

## **Installation Instructions Internal Windshield**

---

---

### Contents

<b>1</b>	<b>Introduction.....</b>	<b>3</b>
<b>2</b>	<b>Technical data.....</b>	<b>3</b>
<b>3</b>	<b>Assembly of the internal windshield.....</b>	<b>4</b>
<b>4</b>	<b>Servicing, maintenance, disposal .....</b>	<b>7</b>

## 1 Introduction

The internal windshield is suitable for all KERN ABP analytical balances.

Due to the assembly of the inner windshield plate the volume of the weighing space is limited, by the way the convection effects inside the weighing space on the weighing values of the balance are reduced, which improves the reaction ability and the stability.

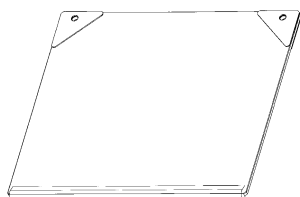
## 2 Technical data

KERN	ABP-A02
Item no./ Type	TABP-A02-A

### Unpacking and checking

Remove device and accessories from packaging, remove packaging material. Check if that there has been no damage and that all items of delivery scope are present.

Scope of delivery



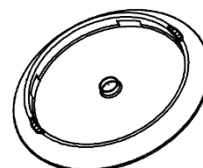
1



2



3



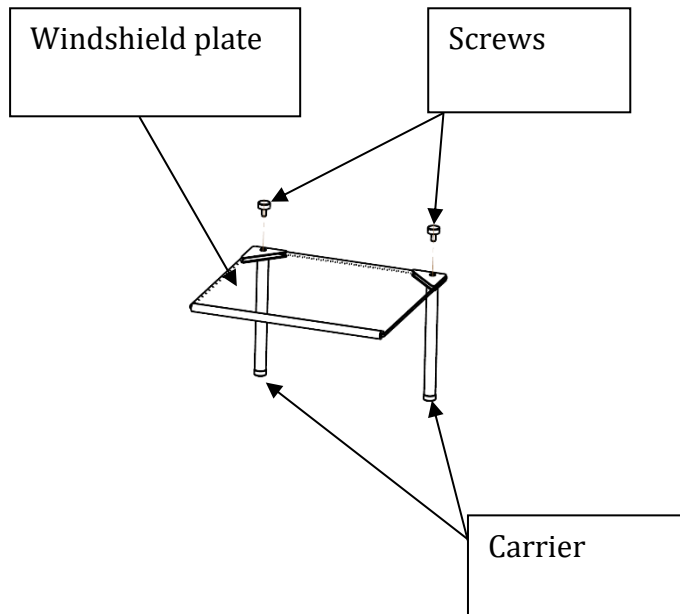
4

Pos.	Designation
------	-------------

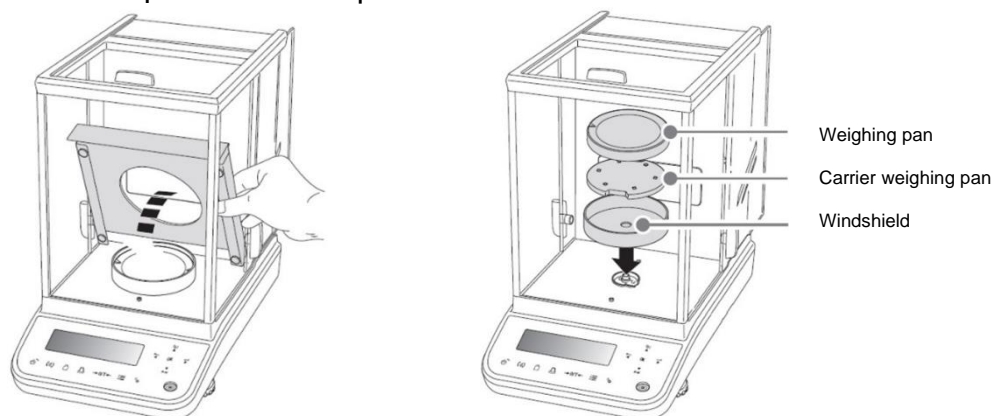
1	Windshield plate [1]
2	Carrier [4]
3	Screws [2]
4	Centering ring [1]

### 3 Assembly of the internal windshield

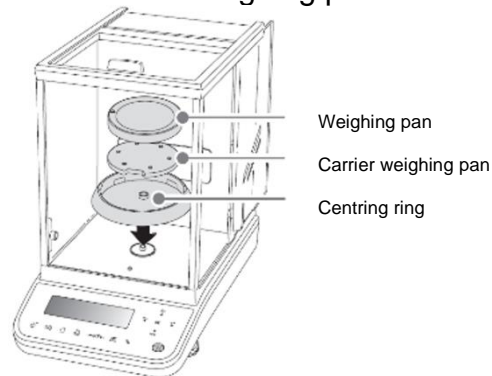
- ① Fasten the carriers to the internal windshield plate using the screws.  
The scope of delivery comprises two types of carriers (108 mm and 148 mm).  
Select the length according to your working environment.  
The assembly of the inner windshield plate is possible from both sides.



- ② Have the windshield plate and the centering ring adapted to the balance's environmental temperature.
- ③ Assembly 0.01mg models:  
Remove the guard plate, the weighing pan, the carrier of the weighing pan and the windshield. Keep the removed parts.

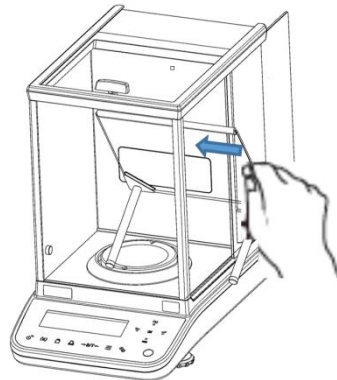


- ④ Assemble the centering ring included in the scope of delivery. After that reassemble the carrier of the weighing plate and the weighing plate.

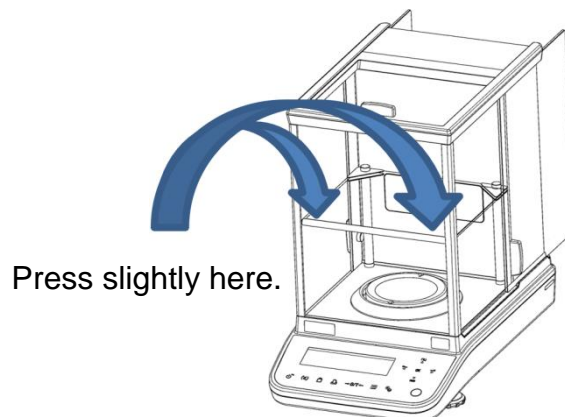


- ⑤ Insert the windshield plate correctly aligned into the windshield.

**i** When an ionizer is installed, take care that the windshield plate is not damaged when being assembled



- ⑥ Assemble the windshield plate slightly pressing onto the rubber strip, so that the rubber touches the front glass pane of the windshield.



- ⑦ After installation switch-on power supply and wait at least 60 minutes until the temperature is stabilized, before you start the measurements.

The scope of delivery comprises two types of carriers (108 mm and 148 mm). If you use a balance of series ABP (readability 0.1mg) without guard plate, then use the 148 mm carriers. If you use a ABP balance with a readability of 0.01 mg with guard plate, then apply the 108 mm carriers.



Fig.1  
Internal windshield with long carriers.



Fig. 2  
Internal windshield with short carriers and guard plate.

Height of the weighing pan till to the inner windshield and the feasibility of installation

	When using the centering ring	If the centering ring is not used:
Long carriers	installable / 140mm (fig.1)	non-installable (*)
Short carriers	installable / 100mm	installable / 120mm (fig. 2)

\* they hit the door frame and therefore they cannot be installed.



**Attention**

Prior to repair or to move the balance, remove the weighing pan, the carrier weighing pan, the windshield, the guard plate and the windshield plate in order to avoid damage.

## 4 Servicing, maintenance, disposal

### Cleaning



Before any maintenance, cleaning and repair work disconnect the appliance from the operating voltage.

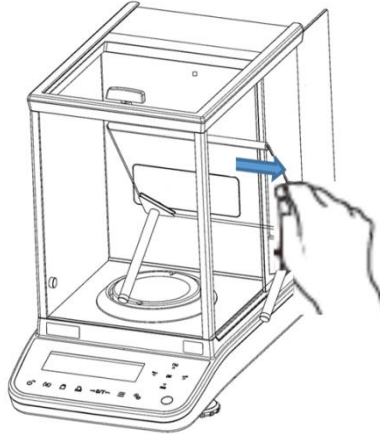


Fig.1: Cleaning the windshield plate

#### 1. Glass plate

These may be removed as described below and cleaned with a commercial glass cleaner.



Handle the glass plate with care.

**Attention:** Risk of breakage

Risk of cuts.

### Disposal

Disposal of packaging and appliance must be carried out by operator according to valid national or regional law of the location where the appliance is used.