



KERN & Sohn GmbH

Ziegelei 1

D-72336 Balingen

E-Mail: info@kern-sohn.com

Phone: +49-[0]7433- 9933-0

Fax: +49-[0]7433-9933-149

Internet: www.kern-sohn.com

Operating Instructions Dot Matrix Printer

KERN 911-013

Version 1.1

2017-01

GB



911-013-BA-e-1711



KERN 911-013

Version 1.1 2017-01

Operating instructions Dot matrix printer

Contents

1	Technical data	3
2	Declaration of Conformity	3
3	Unpacking	4
3.1	Scope of delivery:.....	4
4	Set Up and commissioning	5
5	Printer parts	6
6	Description of buttons and „LED“ displays.....	7
6.1	Self-test.....	7
6.2	Operating and standby mode.....	7
6.3	Line feed	8
6.4	Start-up	8
6.5	Paper.....	8
6.6	Insert the ink ribbon	10
7	Microswitch	11
8	Instant help	12

1 Technical data

Character composition	5x8 dot matrix
Print speed	1.8 lines/sec.
Number of characters per line	180
Character set	PC437, 852, 857, 858, 860, 863, 864, 865, 866, 869, WPC1252, Katakana, CBM-910 Emulation (Japan, International)
Paper	in one roll, 57.5±0.5(W) × 60 or 80(Dia) mm in one roll, 57.5±0.5(W) × 50 or 50(Dia) mm
Electric power supply	DC7
External power supply unit	DC 7 V 1.6 A
energy consumption	Standby: 0.5W for printing: 7W
Supply interface	Type Jack 2.1
Baud rate	150, 300, 1200, 2400, 4800, 9600, 19200 Baud
Parameter/data format	ASCII
Parity	Even, odd, none
Communication protocol	ASCII
Working life	1 m. lines
Operating temperature	0°C – 40°C
Humidity of air	max. 10-90 % relative (not condensing)
Dimensions	100x180x106 mm
Weight	470 g (excl. paper roll)

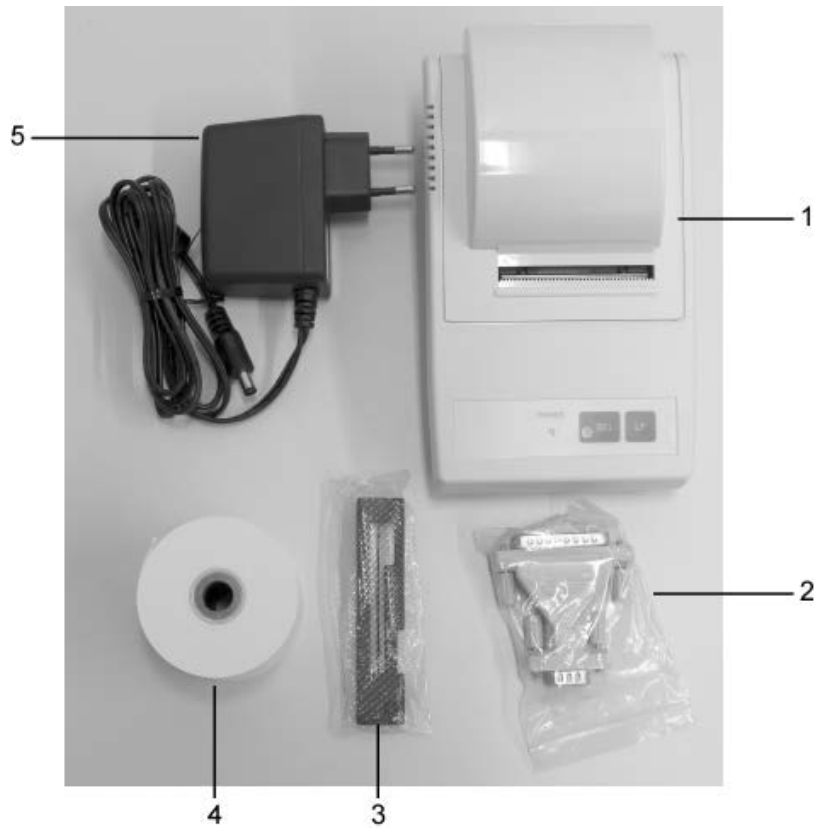
2 Declaration of Conformity

To view the current EC/EU Declaration of Conformity go to:

www.kern-sohn.com/ce

3 Unpacking

3.1 Scope of delivery:



1. Printer
2. Connection plug
3. Colour cartridge
4. 1 x roll of paper
5. Mains plug adapter (Europe)
6. Operating instructions (without illustration)

If one the articles listed above is missing please contact your supplier immediately.

4 Set Up and commissioning

Environmental conditions at the workplace chosen for the printer must meet the conditions stated below:

Temperature: 0°C – 40°C

Humidity: 10 – 90 % (excl. condensation)

Take notice of the following as regards to the site of operation:

Dust and humidity free

Do not place printer next to powerful sources of heat

Do not place the device within range of strong electric, magnetic, electromagnetic impulse fields or planes that collect electrostatic charge.

Do not expose printer to direct sunlight, impacts or vibration.

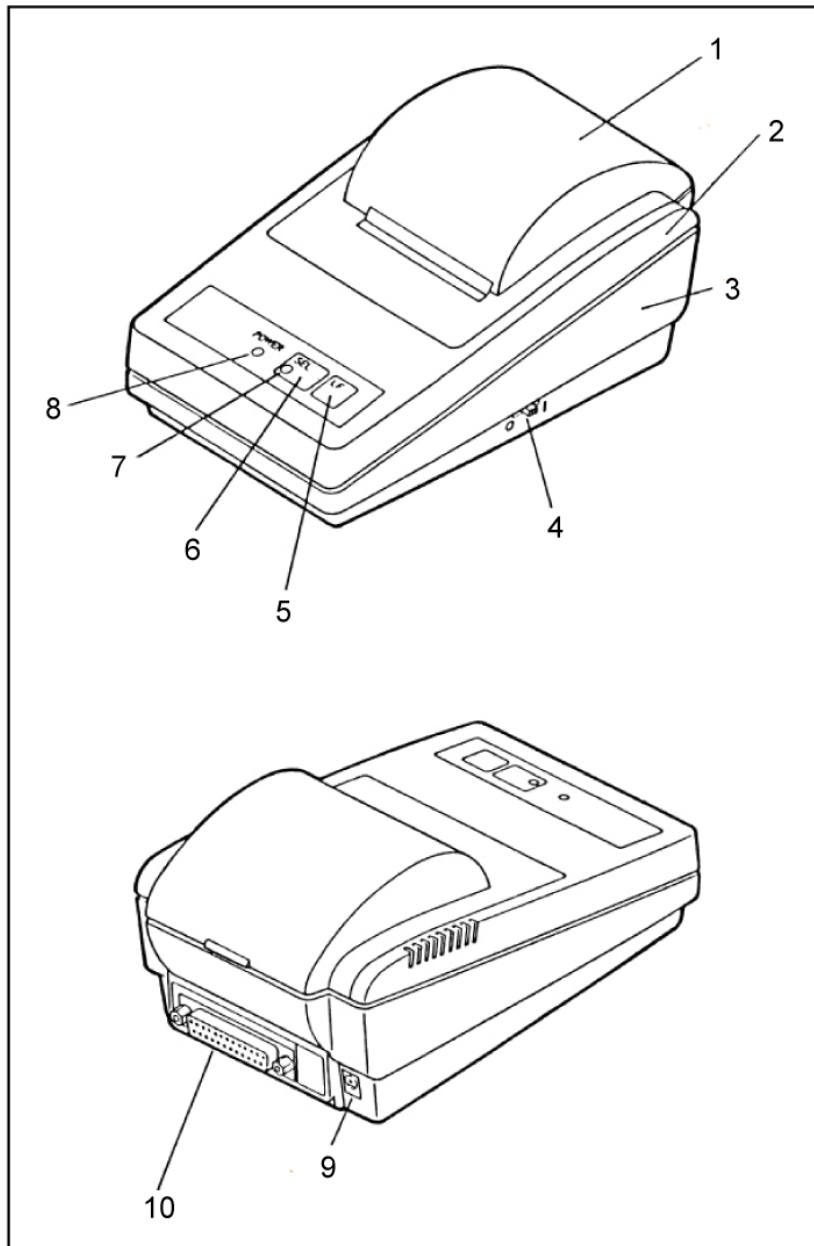
Power is supplied via the external mains adapter.

The stated voltage value must be the same as the local voltage.

Only use original KERN mains adapters.

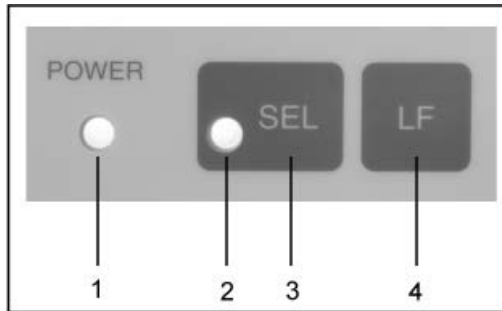
Using other makes requires consent by KERN.

5 Printer parts



1. Cover for paper compartment (removable)
2. Casing top
3. Casing bottom
4. ON/OFF switch
5. „LF“ button
6. „SEL“ button
7. LED display „SEL“
8. LED display „Power“ for power supply
9. Mains connection
10. RS232 interface

6 Description of buttons and „LED“ displays



1	LED display „Power“	LED displays for power supply
2	LED display „SEL“	<ul style="list-style-type: none"> • Glows in standby mode • Flashes when paper supply almost empty (0.5 sec. Interval); switch off LED by pressing SEL-key; Replace paper roll • Flashes at 0.25 intervals when error occurs: Turn off and restart printer
3	„SEL“ button	Turn on/off standby mode
4	„LF“ button Line Feed	<ul style="list-style-type: none"> • Line feed • Start self-test

6.1 Self-test

You can use the self-test for checking the printer's settings.

To create self-test, connect printer to power supply. Operate on/off key and simultaneously press and hold LF-key. The device will start printing the current settings.

6.2 Operating and standby mode

When the printer is connected to the power supply, it is automatically in operating mode and ready for receiving and printing data. You can also switch the printer over to standby mode. To achieve this, press the „SEL“ button whereupon the „SEL“ display will go off; the printer is now in standby mode and will no longer receive data. To return to operating mode, press the „LED“ button, whereupon the „SEL“ display lights up again.

6.3 Line feed

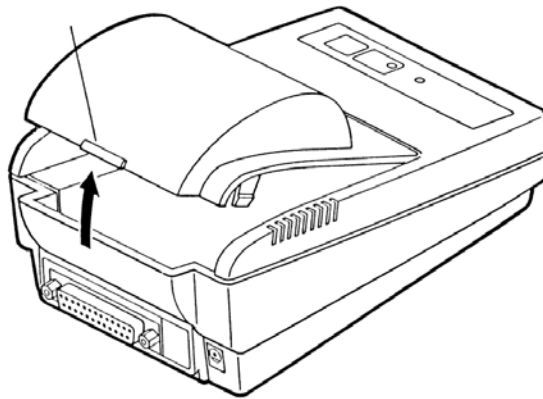
Press the „LF“ button in standby mode (“SEL” display off); this makes the line feed start without data being printed. To stop the line feed, again press the „LF“ button.

6.4 Start-up

The printer will be ready for operation immediately after it has been connected to the power supply; the LED „P“ will light up.

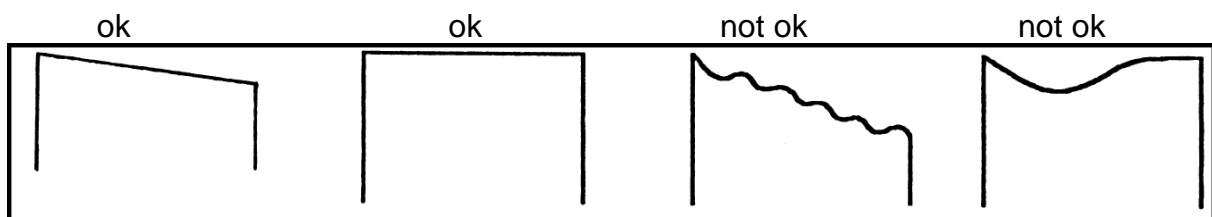
6.5 Paper

- ⇒ Detach the cover of the paper compartment (See illustration) by pulling the cover upwards in the direction of the arrow.

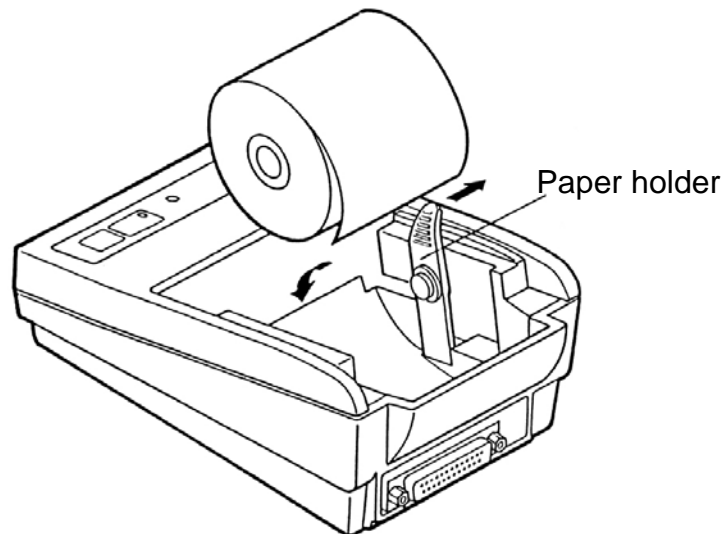


Preparation of paper

- ⇒ Prepare paper properly (See illustration)



Inserting the paper



- ⇒ Moving in the direction of the arrow, pull the paper holder gently outwards and insert the paper roll in such a way that at least 5 to 6 cm of paper are protruding.
- ⇒ Pull the paper through the device's slit and then through the paper cover's slit.
- ⇒ Reattach the paper cover.
- ⇒ Press and hold the „LF“ key until the paper emerges from the outlet slot of the mechanism

Tearing off paper

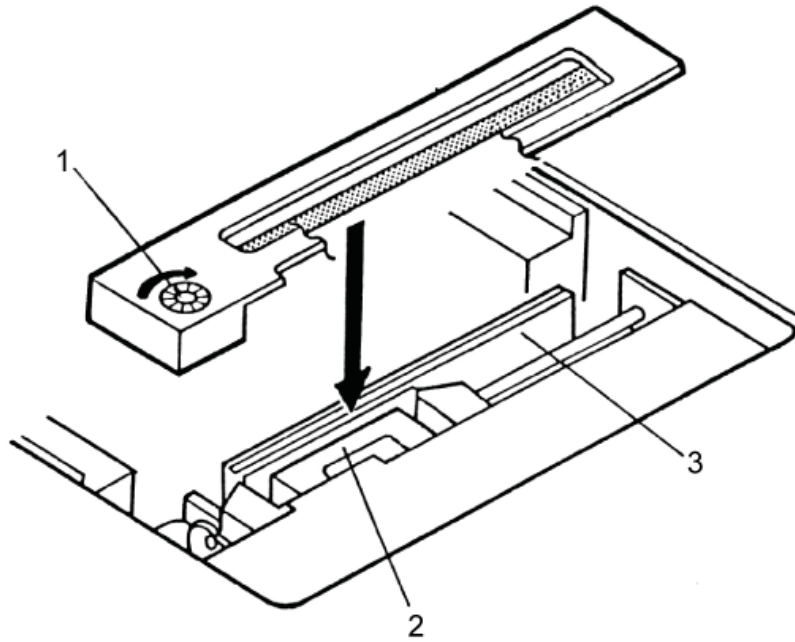
- ⇒ Pull the printout across the direction of printout that it rests on the cutter bar of the printer housing



Do not pull printout upwards.

6.6 Insert the ink ribbon

- ⇒ Turn off printer
- ⇒ Detach paper compartment cover
- ⇒ Insert ink ribbon carefully by making use of the small transport wheel (1) on the left facing forward, between the print head (2) and the plates (3) (See illustration).



7 Microswitch

The micro switches are used to set the operating mode for the printer.

Switches 1-4:

Switch No.	Function	OFF	ON	Factory Setting
1	Character direction	Normal	Inverted	OFF
2	CR	Ignore CR	CR + LF	OFF
3	Reset in	Disable	Enable	ON
4	Bit length	8 bits	7 bits	OFF

Switches 5-8: Baudrate and parity:

Switch No.				Parity	Baud Rate	Factory Setting
8	7	6	5			
OFF	OFF	OFF	OFF	None	4800	0
OFF	OFF	OFF	ON	None	1200	—
OFF	OFF	ON	OFF	None	2400	—
OFF	OFF	ON	ON	None	4800	—
OFF	ON	OFF	OFF	None	9600	—
OFF	ON	OFF	ON	None	19200	—
OFF	ON	ON	OFF	Odd	1200	—
OFF	ON	ON	ON	Odd	2400	—
ON	OFF	OFF	OFF	Odd	4800	—
ON	OFF	OFF	ON	Odd	9600	—
ON	OFF	ON	OFF	Odd	19200	—
ON	OFF	ON	ON	Even	1200	—
ON	ON	OFF	OFF	Even	2400	—
ON	ON	OFF	ON	Even	4800	—
ON	ON	ON	OFF	Even	9600	—
ON	ON	ON	ON	Even	19200	—



- Changes to the settings for the micro switches must be made with the power supply turned off. All changes will be adopted the next time you restart your printer.
- Always use KERN accessories and weighing balances when working with your printer. Disconnect the printer from the mains voltage before connecting the cable to the printer.

8 Instant help

Symptom

Remedy

Power supply display „P“ not lighting up.

Check whether the power supply unit is connected to the printer and to the mains.

Paper does not emerge.

Check whether the paper has been inserted correctly, whether the output slot of the mechanism is free of obstructions

No printing is taking place and paper does not emerge.

Check, whether the power cord is connected at both ends and whether the printer prints a self-test.

If you are unable to remedy the error, please contact your supplier.